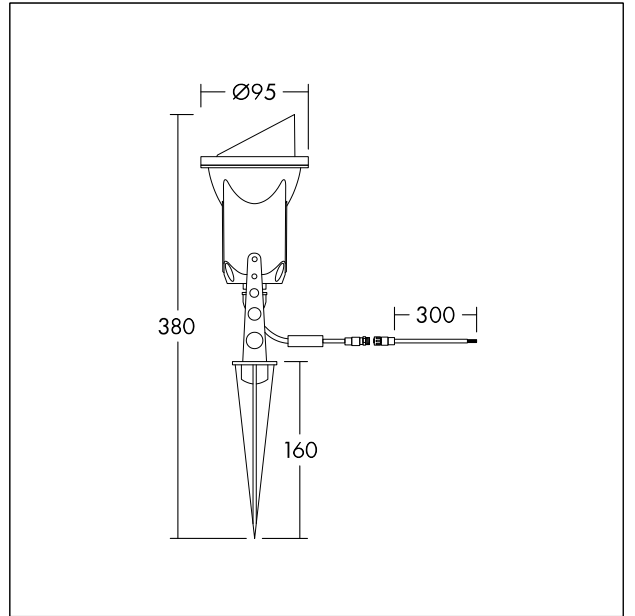


LED Garden Spotlight

Round IP66 LED Garden Spotlight for outdoor applications with black aluminium die cast housing. Colour Temperature 3000K (warm-white) with colour rendering index Ra80, LED service life: 50000 h before luminous flux is reduced to 80 % of the initial value. Power: 8W, 500 Lumen @ 63lm/W; IK08; IP66; 230V. Pre-assembled with 15cm H07RN-F 3G1,5mm² (waterstop included) and connector for fast installation. Compatible with THORNeco cable system. Corrosion Class C4 - Minimum distance to Sea 5km. Product is not suitable for use with chlorines. Dimensions: Ø95 x 380 mm, weight: 0.75 kg.



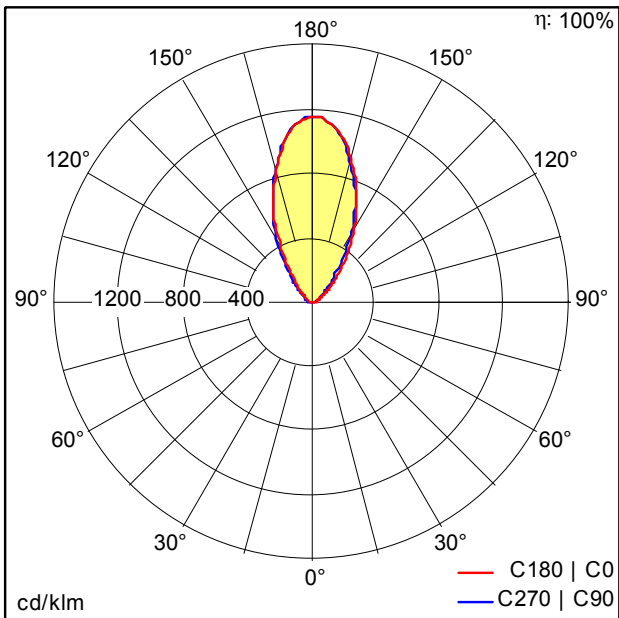
TE\_MARY\_F\_M\_persp.jpg



TE\_MARY\_M\_95.wmf

Light Distribution

STD - standard



TE\_MARY\_GARDEN\_SPOT\_IP66\_500\_830.ltd

- Light Source: LED
- Luminaire luminous flux\*: 500 lm
- Luminaire efficacy\*: 63 lm/W
- Colour Rendering Index min.: 80
- Correlated colour temperature\*: 3000 Kelvin
- Chromaticity tolerance (initial MacAdam): 6
- Rated median useful life\*: L80 50000h at 25°C
- Ballast: 1x LED\_Con
- Luminaire input power\*: 8 W
- Dimming: Fixed output
- Maintenance category CIE 97: E - Dust-proof IP5X

This product contains a light source of energy efficiency class E.

All values marked with an \* are rated values. Connected electrical load and luminous flux are subject to an initial tolerance of +/- 10%, the most similar colour temperature is subject to an initial tolerance of +/- 150K. Unless stated otherwise, the values apply to an ambient temperature of 25°C.